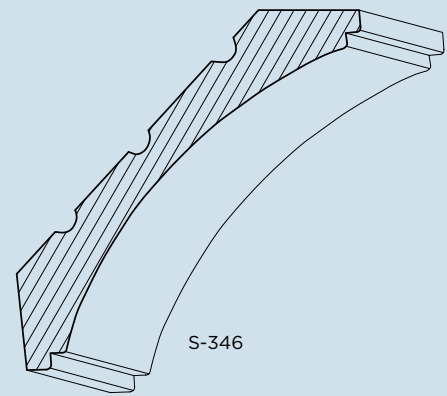
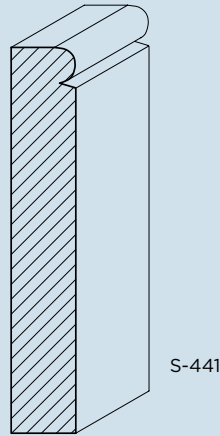
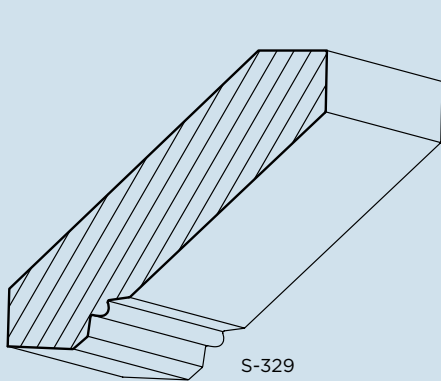


NEW MOLDING OPTIONS

We are pleased to introduce 18 new molding options to our standard offerings list. These designs are very popular in the industry. See our 2024 product manual pages 20.3 to 20.14 for more details. Shown are just a few examples of the new moldings now available.



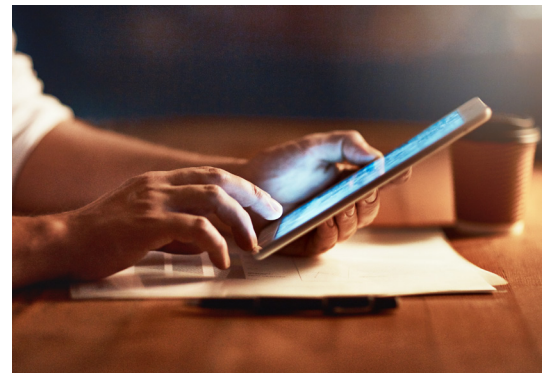
2024 PRODUCT MANUAL

Our new 2024 Product Manual is now available! Please contact your CSR or sales member for information.



EMAIL UPDATES

Get regular updates on Meridian news and product trends by signing up for our bi-monthly emails. Contact your CSR or sales member to get added to our list!



SCAN TO VISIT OUR WEBSITE.



124 Earland Drive, New Holland, PA, 17557-1503
717.355.7700 or toll-free: 888.423.2804 | meridianproduct.com

Products shown may include non-standard features. Refer to Product Manual for all product offerings.

